



**COMPONENTI MECCANICI PER ASCENSORI  
MECHANICAL LIFT COMPONENTS**

**T.224  
T.225  
T.226  
T.227**

**PULEGGE DI RINVIO SERIE 1-33  
ALTA PORTATA  
MONTATE SU CUSCINETTI**

***DIVERTOR POLLEYS SERIES 1-33  
HIGH STATIC LOAD  
ON BALL BEARINGS***

**Dal 1964 P.F.B. produce componenti meccanici per ascensori.  
*Since 1964, P.F.B. produces mechanical lift components.***

## SCELTA DELLA PULEGGIA - CHOISE OF PULLEY

PARAMETRI DI SCELTA CHOISE PARAMETERS	TIPO - TYPE Ø 200	TIPO - TYPE Ø 235	TIPO - TYPE Ø 265	TIPO - TYPE Ø 300	TIPO - TYPE Ø 330	TIPO - TYPE Ø 365	TIPO - TYPE Ø 400	TIPO - TYPE Ø 430
CON CUSCINETTI STANDARD WITH STANDARD BALL BEARINGS	●	●	●	●	●	●	●	●
CON CUSCINETTI SKF WITH SKF BALL BEARINGS	●	●	●	●	●	●	●	●
PORTATA FINO A 2000 Kg. STATIC LOAD UP TO 2000 Ks.	●	●	●	●	●	●	●	●
PORTATA DA 2000 A 4000 Kg. STATIC LOAD FROM 2000 UP TO 4000 Ks.	—	—	●	●	●	●	●	●
PORTATA DA 4000 A 6000 Kg. STATIC LOAD FROM 4000 UP TO 6000 Ks.	—	—	—	●	●	●	●	●
PORTATA DA 6000 A 7700 Kg. STATIC LOAD FROM 6000 UP TO 7700 Ks.	—	—	—	—	—	—	—	—
N° GOLE DA 2 A 4 GROOVES NR. FROM 2 TO 4	● (1)	● (1)	—	—	—	—	—	—
N° GOLE DA 2 A 5 GROOVES NR. FROM 2 TO 5	● (2)	● (2)	—	—	—	—	—	—
N° GOLE DA 2 A 6 GROOVES NR. FROM 2 TO 6	—	—	● (3)	● (3)	(3) ● (4)	(3) ● (4)	—	—
N° GOLE DA 2 A 7 GROOVES NR. FROM 2 TO 7	—	—	● (5)	● (5)	(5) ● (6)	(5) ● (6)	● (7)	● (7)
N° GOLE DA 2 A 9 GROOVES NR. FROM 2 TO 9	—	—	—	—	—	—	● (8)	● (8)
N° GOLE DA 3 A 6 GROOVES NR. FROM 3 TO 6	—	—	—	—	—	—	● (9)	●(10)

TIPO - TYPE Ø 330 ALTA PORT. Ø 330 HIGH ST. LOAD	TIPO - TYPE Ø 365 ALTA PORT. Ø 365 HIGH ST. LOAD	TIPO - TYPE Ø 400 ALTA PORT. Ø 400 HIGH ST. LOAD	TIPO - TYPE Ø 430 ALTA PORT. Ø 430 HIGH ST. LOAD
—	—	—	—
●	●	●	●
●	●	●	●
●	●	●	●
●	●	●	●
—	—	●	●
—	—	—	—
—	—	—	—
(3) ● (4)	(3) ● (4)	—	—
(5) ● (6)	(5) ● (6)	● (7)	● (7)
—	—	● (8)	● (8)
—	—	● (9)	●(10)

(1) INTERASSE= 17 mm e Ø FUNE= 6/7 mm  
PITCH= 17 mm and ROPE Ø= 6/7 mm

(2) INTERASSE= 14 mm e Ø FUNE= 6/7 mm  
PITCH= 14 mm and ROPE Ø= 6/7 mm

(3) INTERASSE= 17 mm e Ø FUNE= 6/7 - 8/9 mm  
PITCH= 17 mm and ROPE Ø= 6/7 - 8/9 mm

(4) INTERASSE= 17 mm e Ø FUNE= 10/11 mm  
PITCH= 17 mm and ROPE Ø= 10/11 mm

(5) INTERASSE= 14 mm e Ø FUNE= 6/7 - 8/9 mm  
PITCH= 14 mm and ROPE Ø= 6/7 - 8/9 mm

(6) INTERASSE= 14 mm e Ø FUNE= 10/11 mm  
PITCH= 14 mm and ROPE Ø= 10/11 mm

(7) INTERASSE= 17 mm e Ø FUNE= 6/7 - 8/9 - 10/11 - 12 mm  
PITCH= 17 mm and ROPE Ø= 6/7 - 8/9 - 10/11 - 12 mm

(8) INTERASSE= 14 mm e Ø FUNE= 6/7 - 8/9 - 10/11 mm  
PITCH= 14 mm and ROPE Ø= 6/7 - 8/9 - 10/11 mm

(9) INTERASSE= 20 mm e Ø FUNE= 12 mm  
PITCH= 20 mm and ROPE Ø= 12 mm

(10) INTERASSE= 20 mm e Ø FUNE= 12 o 13 mm  
PITCH= 20 mm and ROPE Ø= 12 or 13 mm

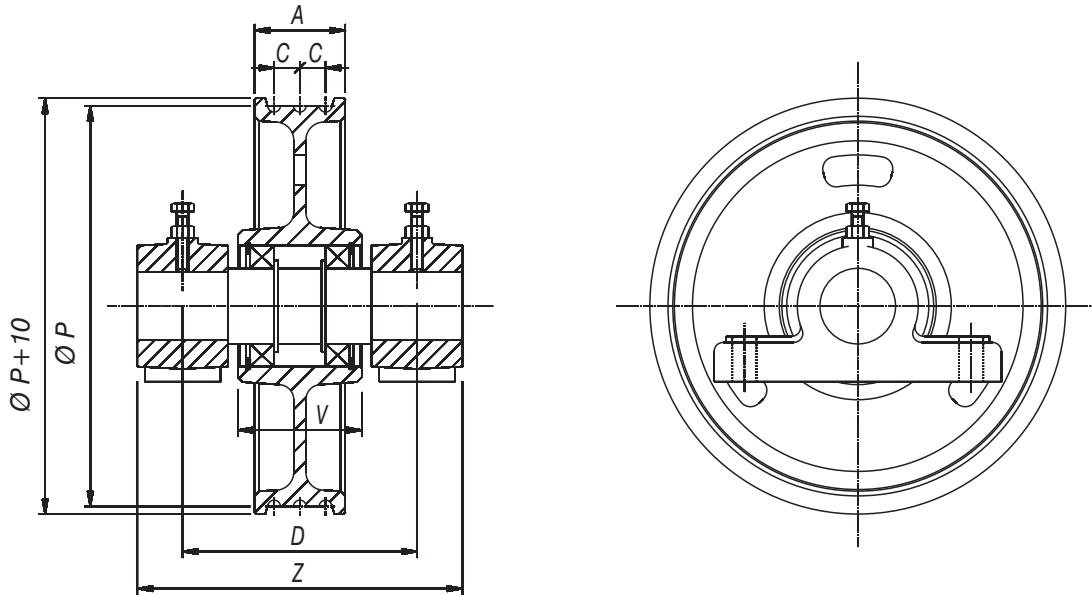


COMPONENTI MECCANICI  
PER ASCENSORI  
MECHANICAL LIFT  
COMPONENTS

PULEGGE DI RINVIO SERIE 1-33 "ALTA PORTATA" MONTATE SU  
CUSCINETTI SKF COMPLETE DI ALBERI FISSI E SUPPORTI

DIVERTOR PULLEYS SERIES 1-33 "HIGH STATIC LOAD" ON BALL  
BEARINGS SKF COMPLETE WITH FIXED AXLES AND SUPPORTS

# T-224-AF



P	N° GOLE GROOVES NR	Ø FUNE ROPE Ø	A	C	V	Z	D	SEEGER		CUSCINETTI BALL BEARINGS	CARICO STATICO Kg. STATIC LOAD Kgs.	CODICE ASSIEME COMPLETE CODE
330	4	10	77	17	82	215	155	E.55	1.100	6211-2RS	5300	8022433040
	5		94		102	240	180	E.60	1.110	6212-2RS	5400	8022433050
	6		111		102	240	180	E.60	1.110	6212-2RS	6000	8022433060
365	3	11	60	17	82	215	155	E.55	1.100	6211-2RS	4800	8022436530
	4		77		82	215	155	E.55	1.100	6211-2RS	5300	8022436540
	5		94		102	240	180	E.60	1.110	6212-2RS	6000	8022436550
	6		111		102	240	180	E.60	1.110	6212-2RS	6000	8022436560
400	3	12	77	20	102	240	180	E.60	1.110	6212-2RS	5600	8022440030
	4		94		102	240	180	E.60	1.110	6212-2RS	6000	8022440040
	5		111		102	240	180	E.60	1.110	6212-2RS	6000	8022440050
	6		130		122	260	200	E.70	1.125	6214-2RS	7700	8022440060
430	3	13	77	20	102	240	180	E.60	1.110	6212-2RS	6000	8022443030
	4		94		102	240	180	E.60	1.110	6212-2RS	6000	8022443040
	5		111		102	240	180	E.60	1.110	6212-2RS	6000	8022443050
	6		130		122	260	200	E.70	1.125	6214-2RS	7700	8022443060





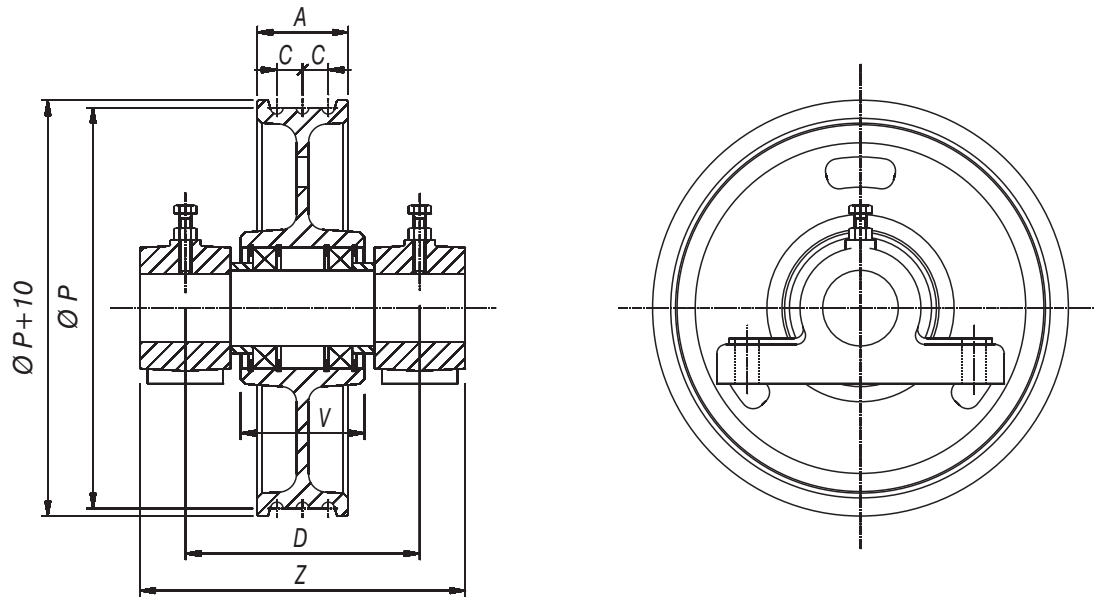
COMPONENTI MECCANICI  
PER ASCENSORI

MECHANICAL LIFT  
COMPONENTS

PULEGGE DI RINVIO SERIE 1-33 "ALTA PORTATA" MONTATE SU  
CUSCINETTI SKF COMPLETE DI ALBERI SFILABILI E SUPPORTI

DIVERTOR PULLEYS SERIES 1-33 "HIGH STATIC LOAD" ON BALL  
BEARINGS SKF COMPLETE WITH DISMOUNTABLE AXLES AND SUPPORTS

# T-225-AS



P	N° GOLE GROOVES NR	Ø FUNE ROPE Ø	A	C	V	Z	D	SEEGER	CUSCINETTI BALL BEARINGS	CARICO STATICO Kg. STATIC LOAD Kgs.	CODICE ASSIEME COMPLETE CODE
330	4	10	77	17	82	215	155	l.100	6211-2RS	5300	8022533040
	5		94		102	240	180	l.110	6212-2RS	5400	8022533050
	6		111		102	240	180	l.110	6212-2RS	6000	8022533060
365	3	11	60	17	82	215	155	l.100	6211-2RS	4800	8022536530
	4		77		82	215	155	l.100	6211-2RS	5300	8022536540
	5		94		102	240	180	l.110	6212-2RS	6000	8022536550
	6		111		102	240	180	l.110	6212-2RS	6000	8022536560
400	3	12	77	20	102	240	180	l.110	6212-2RS	5600	8022540030
	4		94		102	240	180	l.110	6212-2RS	6000	8022540040
	5		111		102	240	180	l.110	6212-2RS	6000	8022540050
	6		130		122	260	200	l.125	6214-2RS	7700	8022540060
430	3	13	77	20	102	240	180	l.110	6212-2RS	6000	8022543030
	4		94		102	240	180	l.110	6212-2RS	6000	8022543040
	5		111		102	240	180	l.110	6212-2RS	6000	8022543050
	6		130		122	260	200	l.125	6214-2RS	7700	8022543060





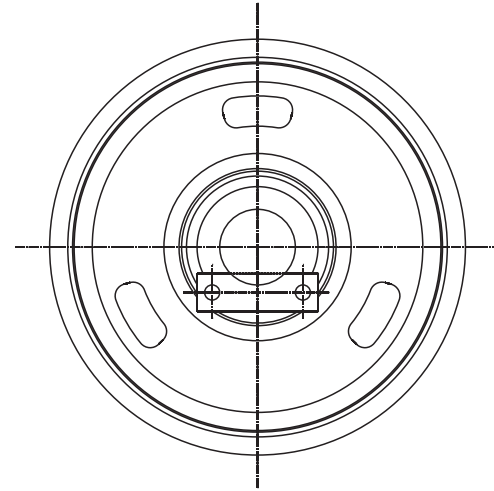
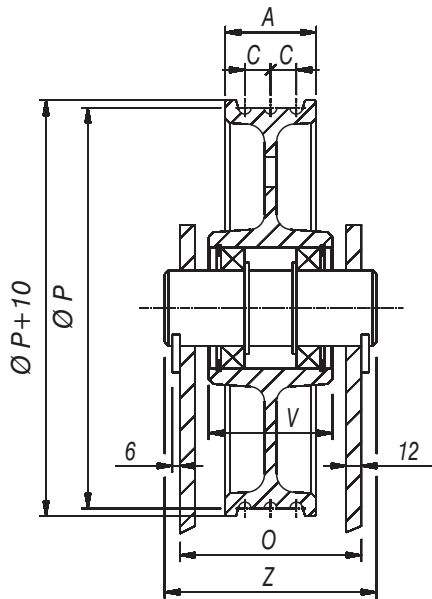


COMPONENTI MECCANICI  
PER ASCENSORI  
MECHANICAL LIFT  
COMPONENTS

PULEGGE DI RINVIO SERIE 1-33 "ALTA PORTATA" MONTATE SU  
CUSCINETTI SKF COMPLETE DI ALBERI FISSI PER PIASTRE

DIVERTOR PULLEYS SERIES 1-33 "HIGH STATIC LOAD" ON BALL  
BEARINGS SKF COMPLETE WITH FIXED AXLES FOR KEEPER PLATES

# T-226-AF



P	N° GOLE GROOVES NR	Ø FUNE ROPE Ø	A	C	V	Z	O	SEEGER		CUSCINETTI BALL BEARINGS	CARICO STATICO Kg. STATIC LOAD Kgs.	CODICE ASSIEME COMPLETE CODE
330	4	10	77	17	82	140	120	E.55	I.100	6211-2RS	5300	8022633040
	5		94		102	164	144	E.60	I.110	6212-2RS	5400	8022633050
	6		111		102	164	144	E.60	I.110	6212-2RS	6000	8022633060
365	3	11	60	17	82	140	120	E.55	I.100	6211-2RS	4800	8022636530
	4		77		82	140	120	E.55	I.100	6211-2RS	5300	8022636540
	5		94		102	164	144	E.60	I.110	6212-2RS	6000	8022636550
	6		111		102	164	144	E.60	I.110	6212-2RS	6000	8022636560
400	3	12	77	20	102	164	144	E.60	I.110	6212-2RS	5600	8022640030
	4		94		102	164	144	E.60	I.110	6212-2RS	6000	8022640040
	5		111		102	164	144	E.60	I.110	6212-2RS	6000	8022640050
	6		130		122	184	164	E.70	I.125	6214-2RS	7700	8022640060
430	3	13	77	20	102	164	144	E.60	I.110	6212-2RS	6000	8022643030
	4		94		102	164	144	E.60	I.110	6212-2RS	6000	8022643040
	5		111		102	164	144	E.60	I.110	6212-2RS	6000	8022643050
	6		130		122	184	164	E.70	I.125	6214-2RS	7700	8022643060

\* PER RICHIEDERE LA FORNITURA COMPRESIVA DI PIATRINA DI FISSAGGIO SOSTITUIRE L'ULTIMO NUMERO DEL CODICE (0) CON (1).

\* TO REQUEST SUPPLYING INCLUDES KEEPER PLATES CHANGE LAST NUMBER OF CODE (0) WITH (1).



<u>ASSIEME</u> <u>ASSEMBLY</u>				<u>PIASTRINI</u> <u>KEEPER PLATES</u>	
				<u>* OPTIONAL</u>	
<u>P</u>	<u>N° GOLE</u> <u>GROOVES NR</u>	<u>R</u>	<u>PESO Kg.</u> <u>WEIGHT Kgs.</u>	<u>PESO Kg.</u> <u>WEIGHT Kgs.</u>	<u>CODICE</u> <u>CODE</u>
330	4	55	18,2	0,2	8015000005
	5	60	23,2		
	6	60	24,7		
365	3	55	19,9		
	4	55	21,4		
	5	60	25,2		
	6	60	27,2		
400	3	60	30,2		
	4	60	32,7		
	5	60	34,2		
	6	70	40,3		
430	3	60	35,2		
	4	60	38,2		
	5	60	40,2		
	6	70	45,3		



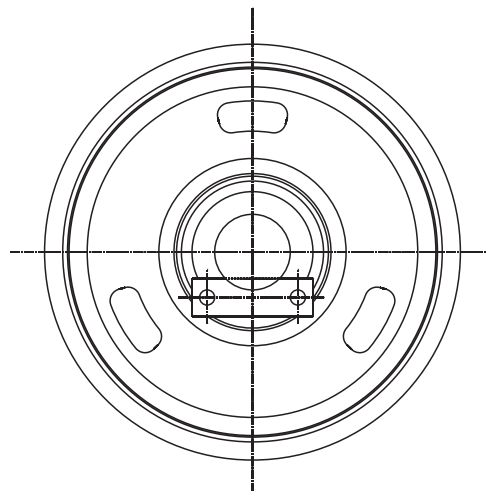
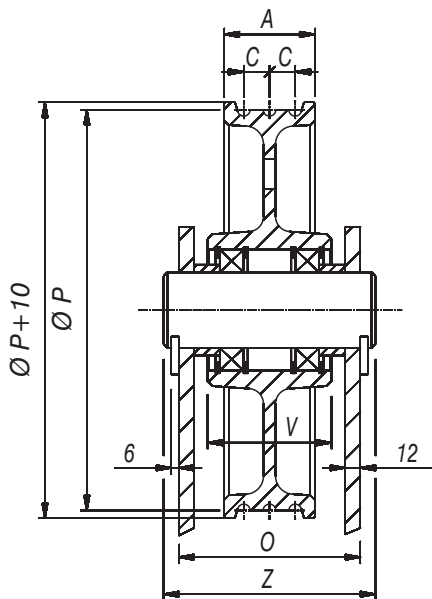
COMPONENTI MECCANICI  
PER ASCENSORI

MECHANICAL LIFT  
COMPONENTS

PULEGGE DI RINVIO SERIE 1-33 "ALTA PORTATA" MONTATE SU  
CUSCINETTI SKF COMPLETE DI ALBERI SFILABILI PER PIASTRE

DIVERTOR PULLEYS SERIES 1-33 "HIGH STATIC LOAD" ON BALL  
BEARINGS SKF COMPLETE WITH DISMOUNTABLE AXLES FOR KEEPER PLATES

# T-227-AS



P	N° GOLE GROOVES NR	Ø FUNE ROPE Ø	A	C	V	Z	O	SEEGER	CUSCINETTI BALL BEARINGS	CARICO STATICO Kg. STATIC LOAD Kgs.	CODICE ASSIEME COMPLETE CODE
330	4	10	77	17	82	140	120	l.100	6211-2RS	5300	8022733040
	5		94		102	164	144	l.110	6212-2RS	5400	8022733050
	6		111		102	164	144	l.110	6212-2RS	6000	8022733060
365	3	11	60	17	82	140	120	l.100	6211-2RS	4800	8022736530
	4		77		82	140	120	l.100	6211-2RS	5300	8022736540
	5		94		102	164	144	l.110	6212-2RS	6000	8022736550
	6		111		102	164	144	l.110	6212-2RS	6000	8022736560
400	3	12	77	20	102	164	144	l.110	6212-2RS	5600	8022740030
	4		94		102	164	144	l.110	6212-2RS	6000	8022740040
	5		111		102	164	144	l.110	6212-2RS	6000	8022740050
	6		130		122	184	164	l.125	6214-2RS	7700	8022740060
430	3	13	77	20	102	164	144	l.110	6212-2RS	6000	8022743030
	4		94		102	164	144	l.110	6212-2RS	6000	8022743040
	5		111		102	164	144	l.110	6212-2RS	6000	8022743050
	6		130		122	184	164	l.125	6214-2RS	7700	8022743060

\* PER RICHIEDERE LA FORNITURA COMPRESIVA DI PIASTRINA DI FISSAGGIO SOSTITUIRE L'ULTIMO NUMERO DEL CODICE (0) CON (1).

\* TO REQUEST SUPPLYING INCLUDES KEEPER PLATES CHANGE LAST NUMBER OF CODE (0) WITH (1).



<u>ALBERI</u> AXLES				<u>PIASTRINI</u> KEEPER PLATES	
				* <u>OPTIONAL</u>	
<u>O</u>	<u>R</u>	<u>PESO Kg.</u> <u>WEIGHT Kgs.</u>	<u>CODICE</u> <u>CODE</u>	<u>PESO Kg.</u> <u>WEIGHT Kgs.</u>	<u>CODICE</u> <u>CODE</u>
120	55	2,3	8135551403	0,2	8015000005
144	60	3,3	8135601643		
144	60	3,3	8135601643		
120	55	2,3	8135551403		
120	55	2,3	8135551403		
144	60	3,3	8135601643		
144	60	3,3	8135601643		
144	60	3,3	8135601643		
144	60	3,3	8135601643		
144	60	3,3	8135601643		
144	60	3,3	8135601643		
144	60	3,3	8135601643		
144	60	3,3	8135601643		
144	60	3,3	8135601643		
164	70	4,7	8135701843		